

# MW25 Series

25mm High Current Metal Pushbutton Switches



## SPECIFICATIONS

- RATING :** 16A, 26A 250/125VAC.
- CONTACT RESISTANCE :** 50 mΩ max. @ 1A 12VDC (initial value)
- INSULATION RESISTANCE :** 100 MΩ min. at 500VDC
- DIELECTRIC STRENGTH :** 1,500V RMS @ sea level
- OPERATION TEMPERATURE :** -25°C to 85°C
- MECHANICAL LIFE :** Momentary 1,000,000 cycles  
Latching 500,000 cycles
- ELECTRICAL LIFE :** 16A /125&250VAC 50,000 CYCLES  
26A /125&250VAC 10,000 CYCLES
- OPERATION PRESSURE :** 3.5±1.5N
- TRAVEL :** About 3.2mm
- INGRESS PROTECTION :** IP67, IK08(Stainless)
- TORQUE:** 1~3Nm.

## MATERIALS

- BUSHING :** Stainless Steel / Aluminum alloy
- BASE :** PBT(UL 94-V0) , PC(UL 94-V2)
- ACTUATOR :** PC ; Stainless Steel / Aluminum alloy
- INNER ASSEMBLY :** POM / PA66.
- SPRING :** Steel.
- SEALING :** Silicone.
- O-Ring :** Silicone.
- TERMINAL:** Brass , Silver plated.
- HEX NUT :** Nickel plated brass.

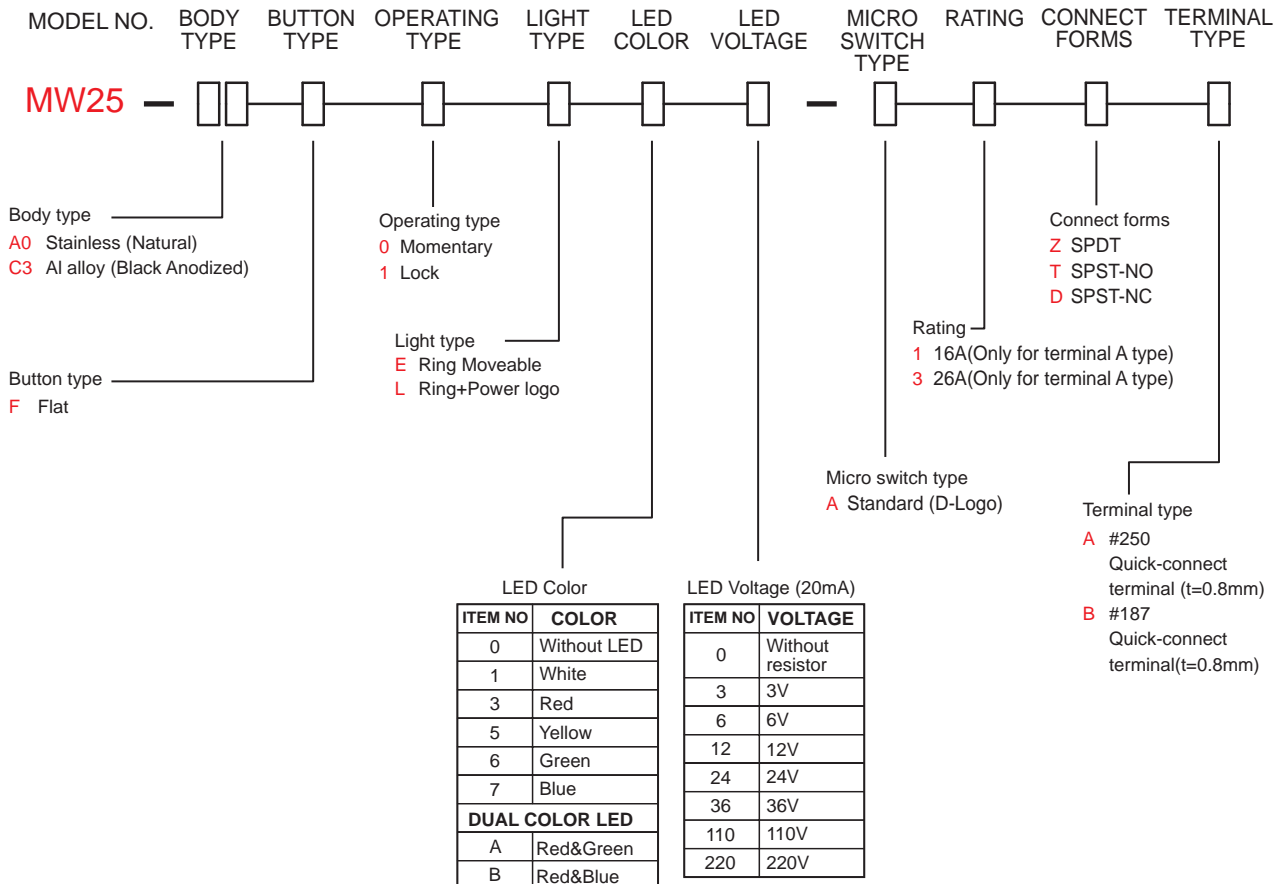
MW25 Pushbutton Switches



IP 67  
ACCORDING TO  
EN 60529:1991+A1:2001  
IEC 60529:2001



## HOW TO ORDER



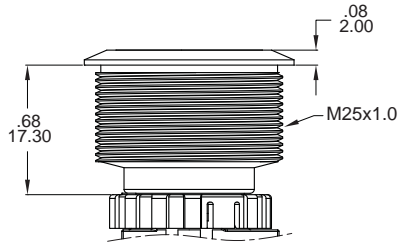
EXAMPLE:  
MW25-A0F0E00-A3ZA (Without LED)  
MW25-A0F0E [ ] [ ] -A3ZA  
LED color — LED voltage

# MW25 Series

25mm High Current Metal Pushbutton Switches

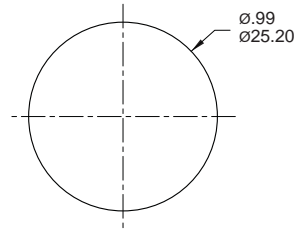
## BODY TYPE

A0/C3



### PANEL MOUNTING

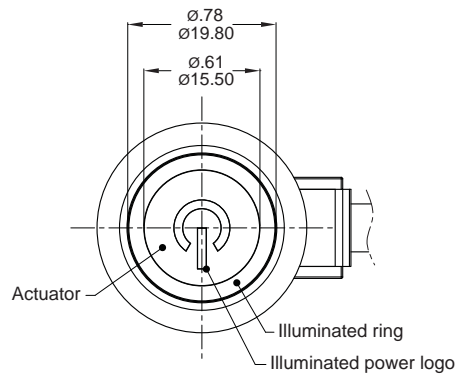
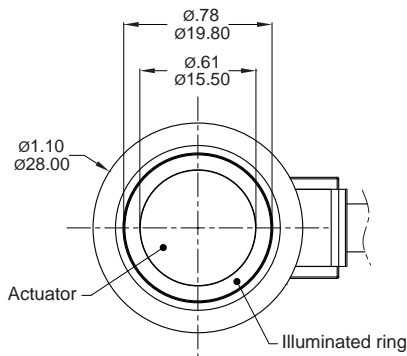
Max. Panel thickness: 10.0mm [.39]



## LIGHT TYPE

E Ring Moveable

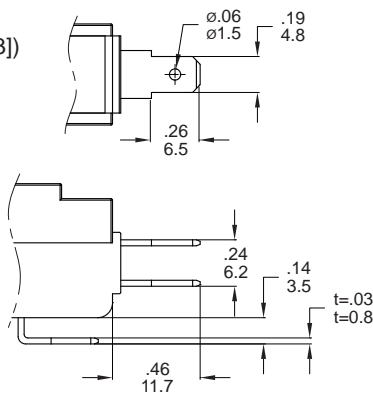
L Ring+Power logo



## TERMINAL TYPE

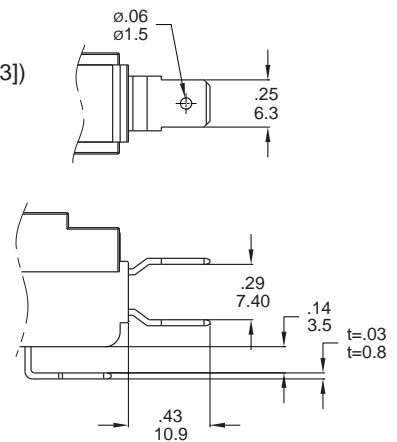
#187 Only 16A

Quick-connect terminal (t=0.8mm [.03])

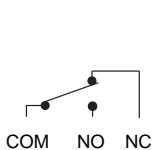


#250 Only 26A

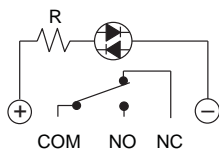
Quick-connect terminal (t=0.8mm [.03])



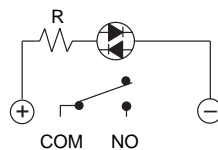
## CIRCUIT



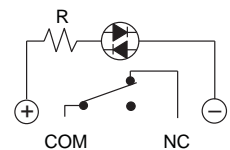
Non-LED



SPDT



SPST-NO

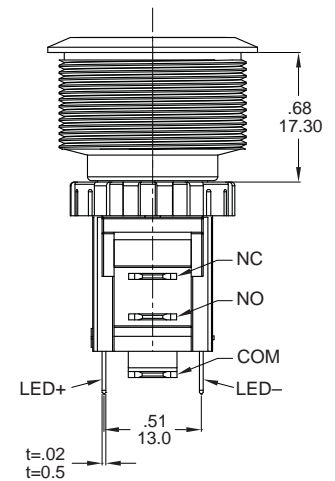
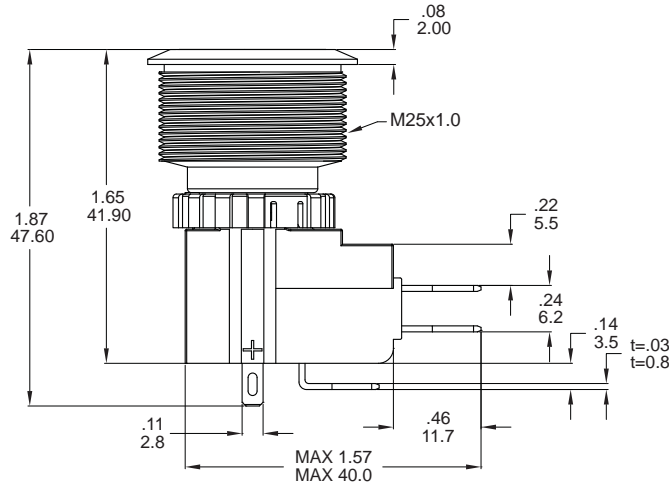
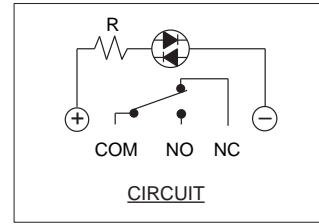
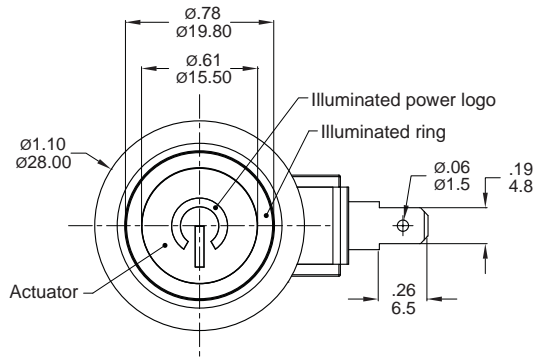


SPST-NC

MW25 Pushbutton Switches

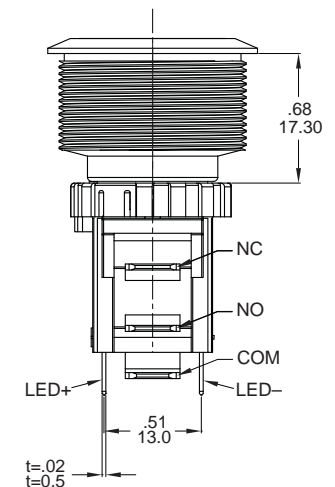
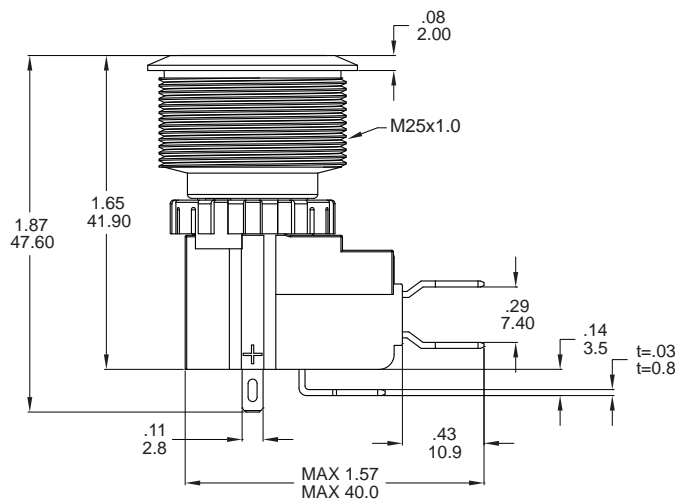
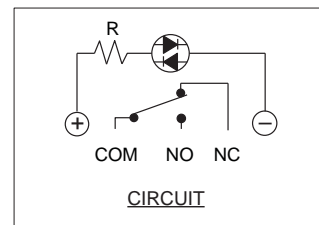
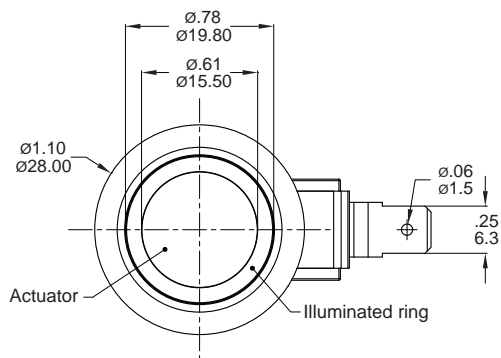
### DIMENSION

#### L Ring+Power logo



Part No. Shown : MW25-A0F1L1□-A1ZB

#### E Ring Moveable



Part No. Shown : MW22-A0F0E7□-A3ZA



MW25 Pushbutton Switches